



# 开放式冷水机组

## Open Water Chillers

## 开放式冷水机组 Open Water Chillers

### ● 特点 Features

- 采用进口高品质压缩机及进口水泵，安全宁静、省电耐用。
- 采用全电脑温控器，操作简洁，能准确地控制水温在5-35℃。
- 冷凝器及蒸发器设计独特，换热效果更佳。
- 有电流过载保护，高低压控制及电子式时间延迟安全装置，当发生故障时及时发出警报及显示故障原因。
- 设有逆相欠相保护和防水保护。
- 超低温型冷水机温度可达-15℃以下。
- 此系列冷水机可订做耐酸碱式。

- To adopt imported superb compressors and pumps to ensure safe & quiet running, power saving and durable service life.
- To employ microcomputer with easy operation which can control temperature within 5 to 35 precisely.
- Unique design for condenser and heat-dispersion unit result in excellent heat-exchange effect.
- To equip with electrical current overload protection, high & low-pressure switch, electronic timer delay safety device. It will alarm to display faulty while any malfunction occurs.
- Complete safety devices including power reverse phase & power short phase and anti-freeze protection.
- Ultra low temperature type of chillers can reach below -15℃.
- Chillers for anti-alkaline & anti-acid type can be customized.



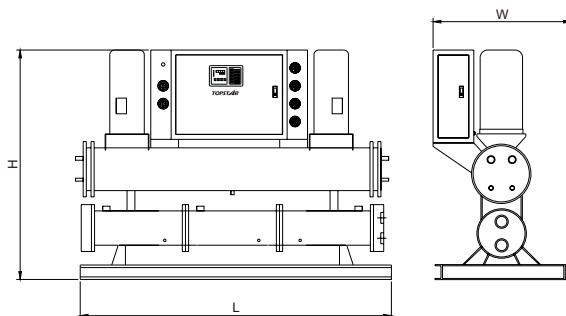
### ● 开放式冷水机组系统规格表 Water Chillers Tube-in-shell Type

产品型号 Model	TLW-110S-L	TLW-140S-L	TLW-180S-L	TLW-200S-L	TLW-230S-L	TLW-260S-L	
制冷量 Cooling Capacity	kW	90	122	153	179	210	230
压缩机数量 Number of Compressors	台 Set	1	1	1	1	1	1
压缩机总功率 Compressor Total Power	HP	30	40	50	60	70	80
使用冷媒 Refrigerant		R22					
充注量 Charge volume	KG	21	28.5	35.5	42	49	54
控制方式 control mode		热力膨胀阀 Thermal expansion valve					
蒸发器类型 Evaporator Type		壳管式 Tube-in-shell type					
蒸发器进出水口径 Evaporator Inlet/outlet Size		3"	3"	3"	3"	4"	4"
冷凝器类型 Condenser Type		壳管式 Tube-in-shell type					
冷凝器散热水口径 Condenser Hot Wat		3"	3"	3"	3"	4"	4"
冷水进出口数量 Number of Cooling Water Inlet/outlet	组 Group	1					
系统电源 Power Supply	V	380VAC 3P/PE 50Hz					
控制电源 Control Voltage	V	220VAC 1P/PE 50Hz					
外观尺寸 Dimensions LxWxH	M	2.0×0.8 ×1.5	2.0×0.8 ×1.5	2.1×0.95 ×1.55	2.2×1.1 ×1.55	2.4×1.2 ×1.7	2.6×1.2 ×1.7
机器重量 Weight	KG	950	1050	1120	1250	1450	1500

注：产品规格若有变更，恕不另行通知。

We reserve right to change specifications without prior notice.

### ● 产品结构图 Product Structure Diagram



有关产品性质和适用范围的说明并不保证产品属性，仅作可供了解的信息。我们的供货范围及提供的服务完全以合同条款为准绳。技术数据和插图仅作为供货参考。保留更改权利。

Feature and scope of the product does not guarantee the product attributes, only for reference. Our scope of delivery and services provided are based solely on the terms of delivery and services provided are based solely on the terms of the contract. Technical data and illustration are only for reference. We reserve the rights of changing.

TSD-2021-12

## 广东拓斯达科技股份有限公司

GUANGDONG TOPSTAR TECHNOLOGY CO.,LTD.

地址：广东省东莞市大岭山镇大塘朗创新路2号

ADD : No.2 Chuangxin Road, Datanglang, Dalingshan Town, Dongguan City, Guangdong Province.

电话/TEL: 0769-8305 0999 传真/FAX: 0769-8584 5562

全国统一客服热线 Domestic Service Hotline **400-096-8005**

